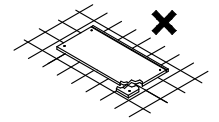
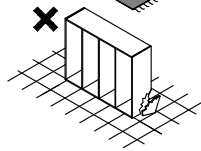
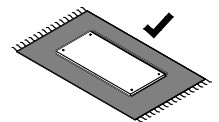
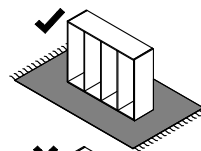
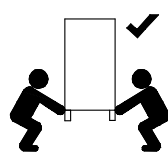
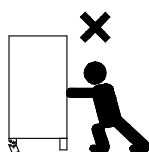
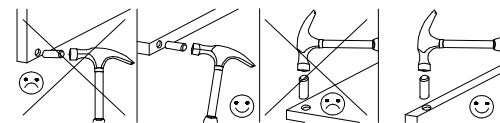
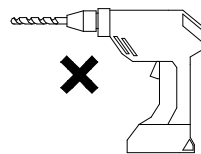
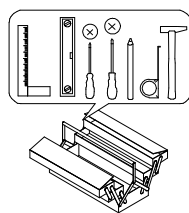
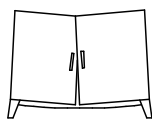
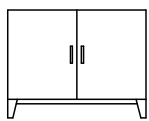
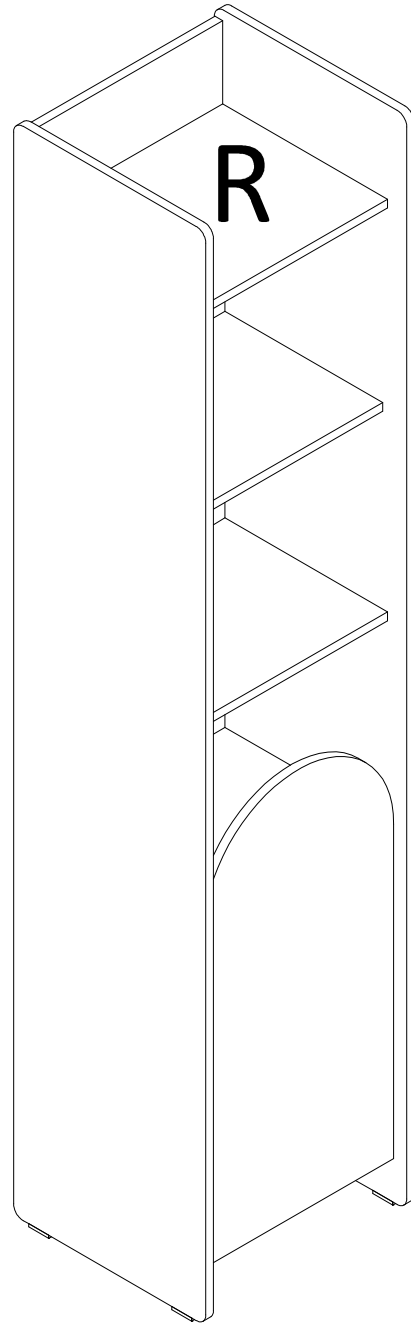
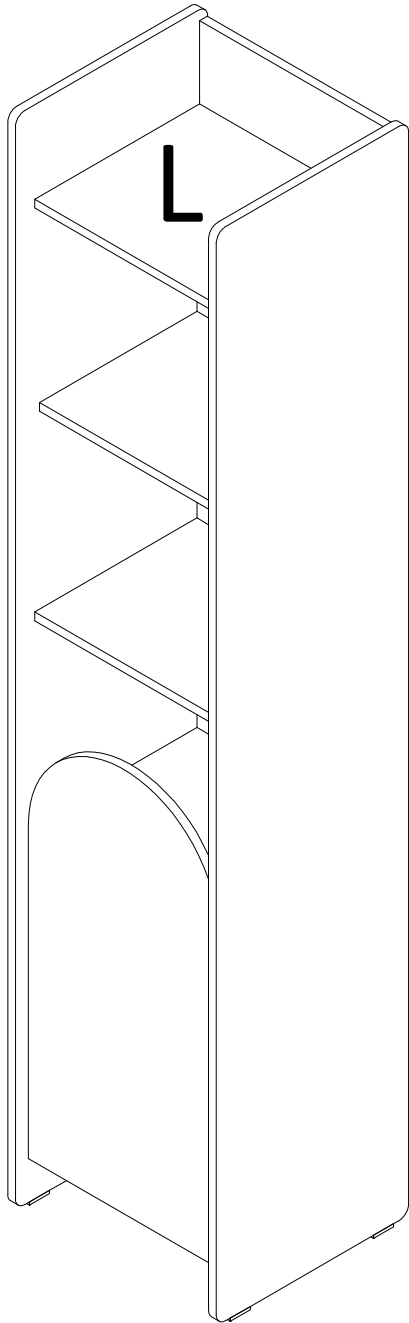
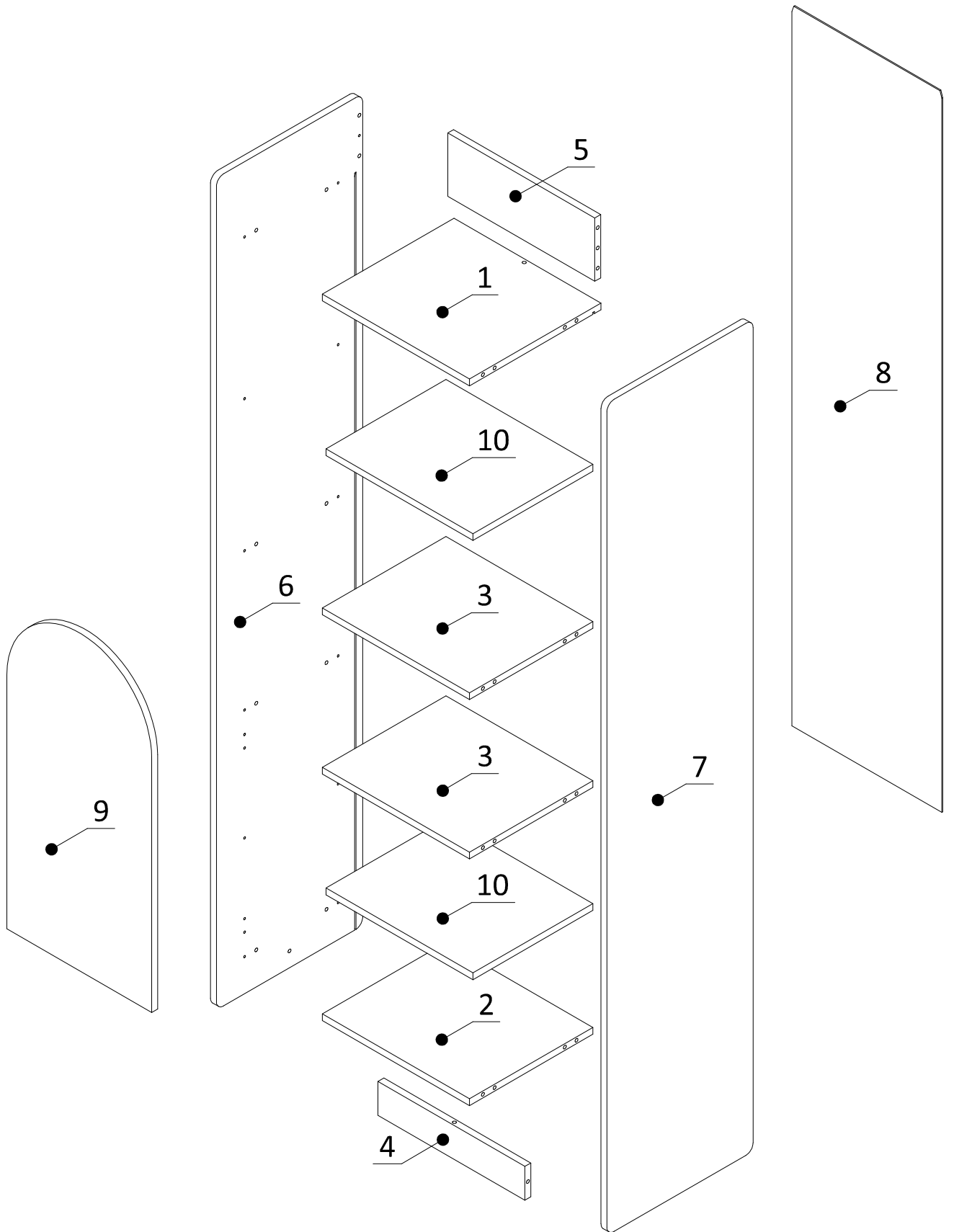
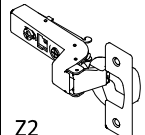
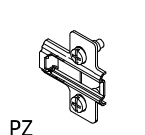

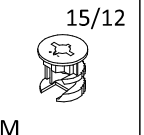
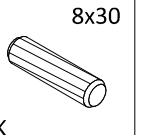
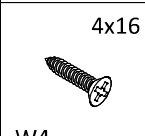
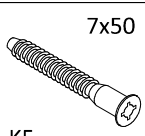
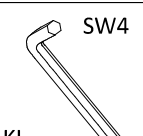
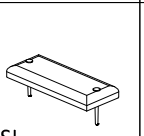
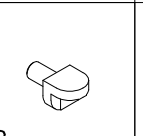
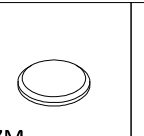
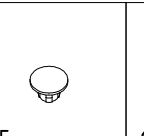
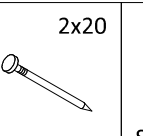
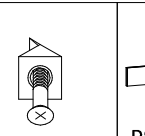
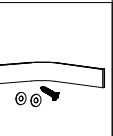


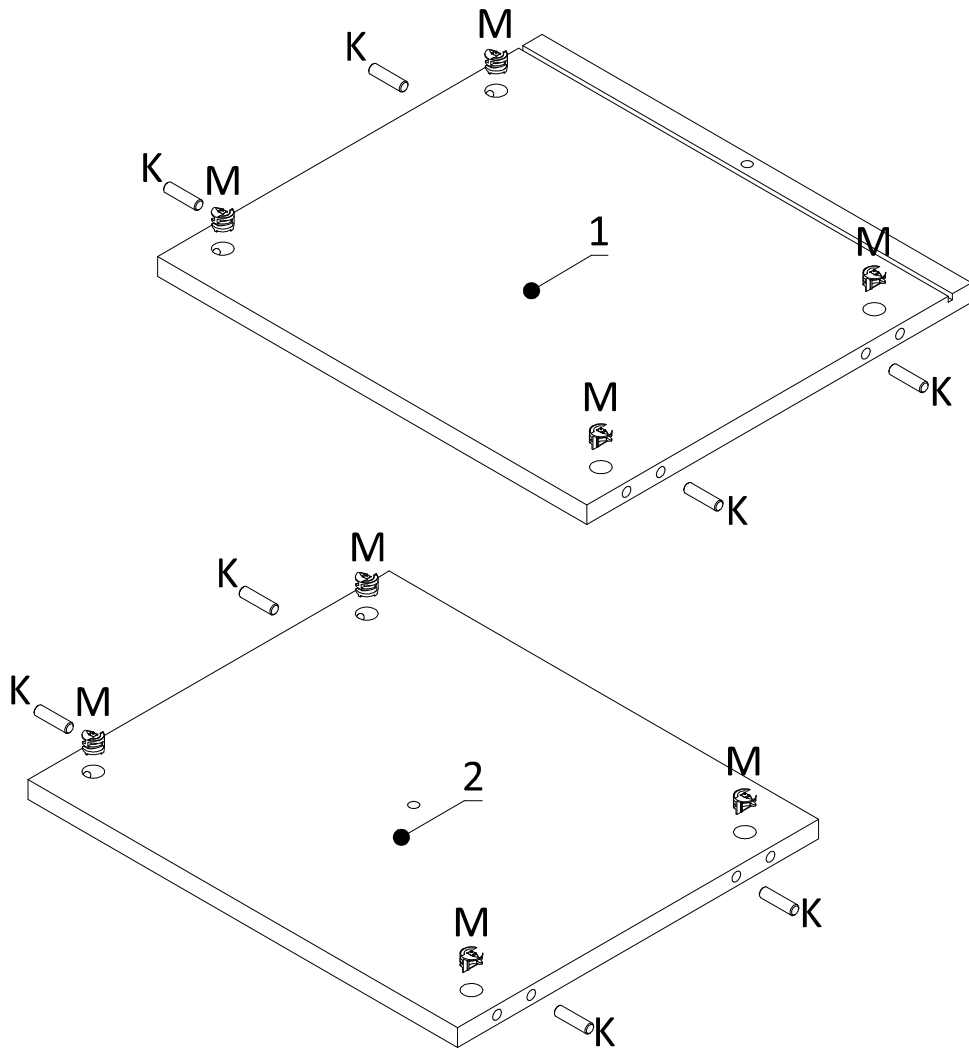
LEXI R-3


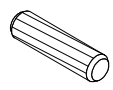




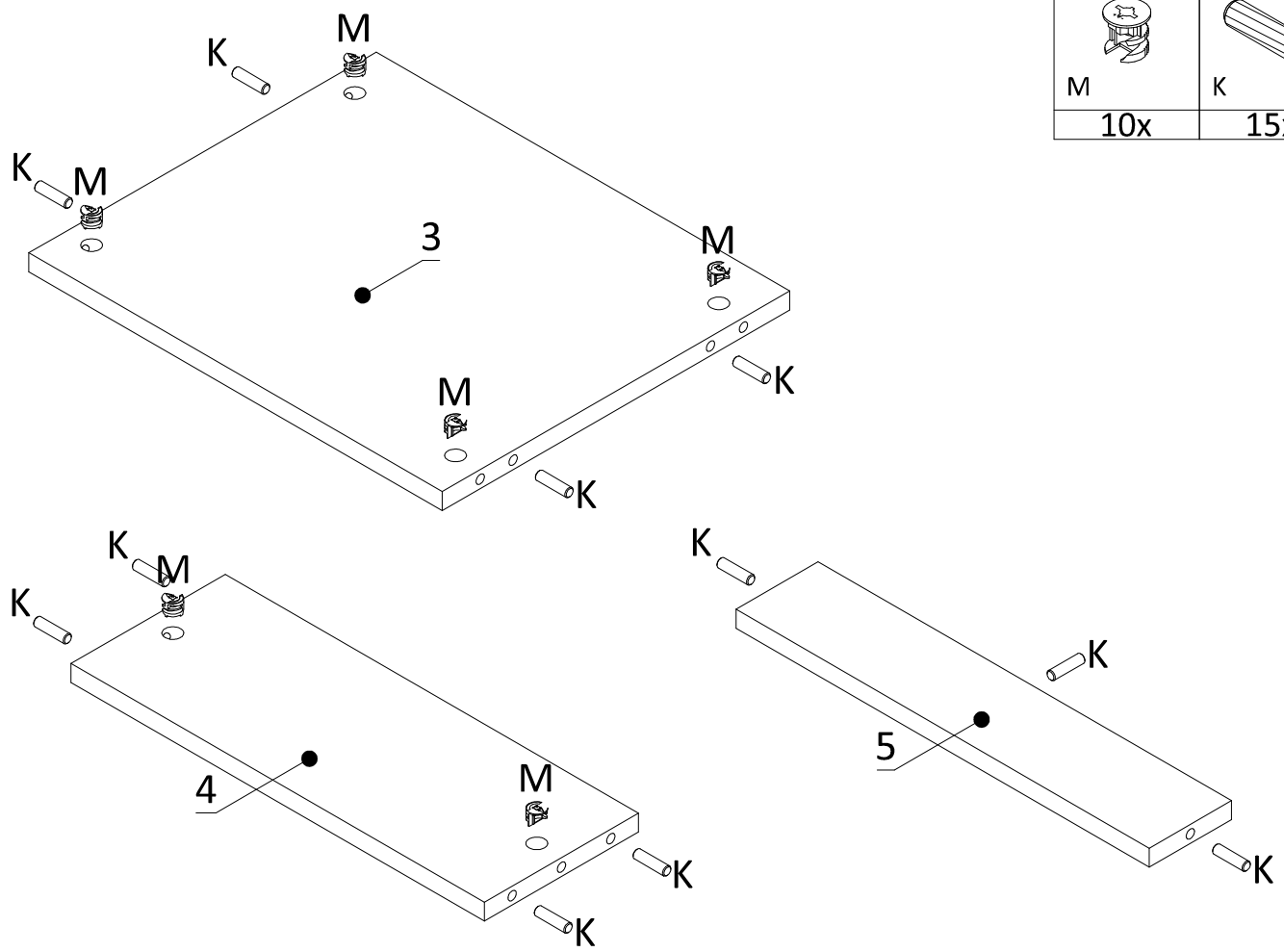
		 L20,3	 15/12	 8x30					
Z2	PZ	T	M	K					
2x	2x	18x	18x	23x					
 4x16	 7x50	 SW4					 2x20		
W4	KF	KL	SL	P	ZM	Z5	G	S	PS
4x	1x	1x	4x	8x	18x	4x	15x	9x	1x


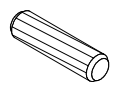
1



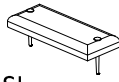

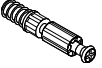
	
M	K
8x	8x

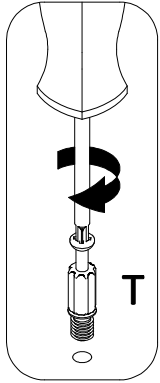
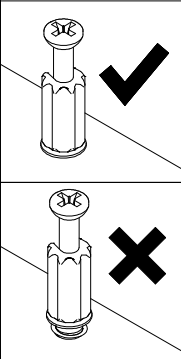
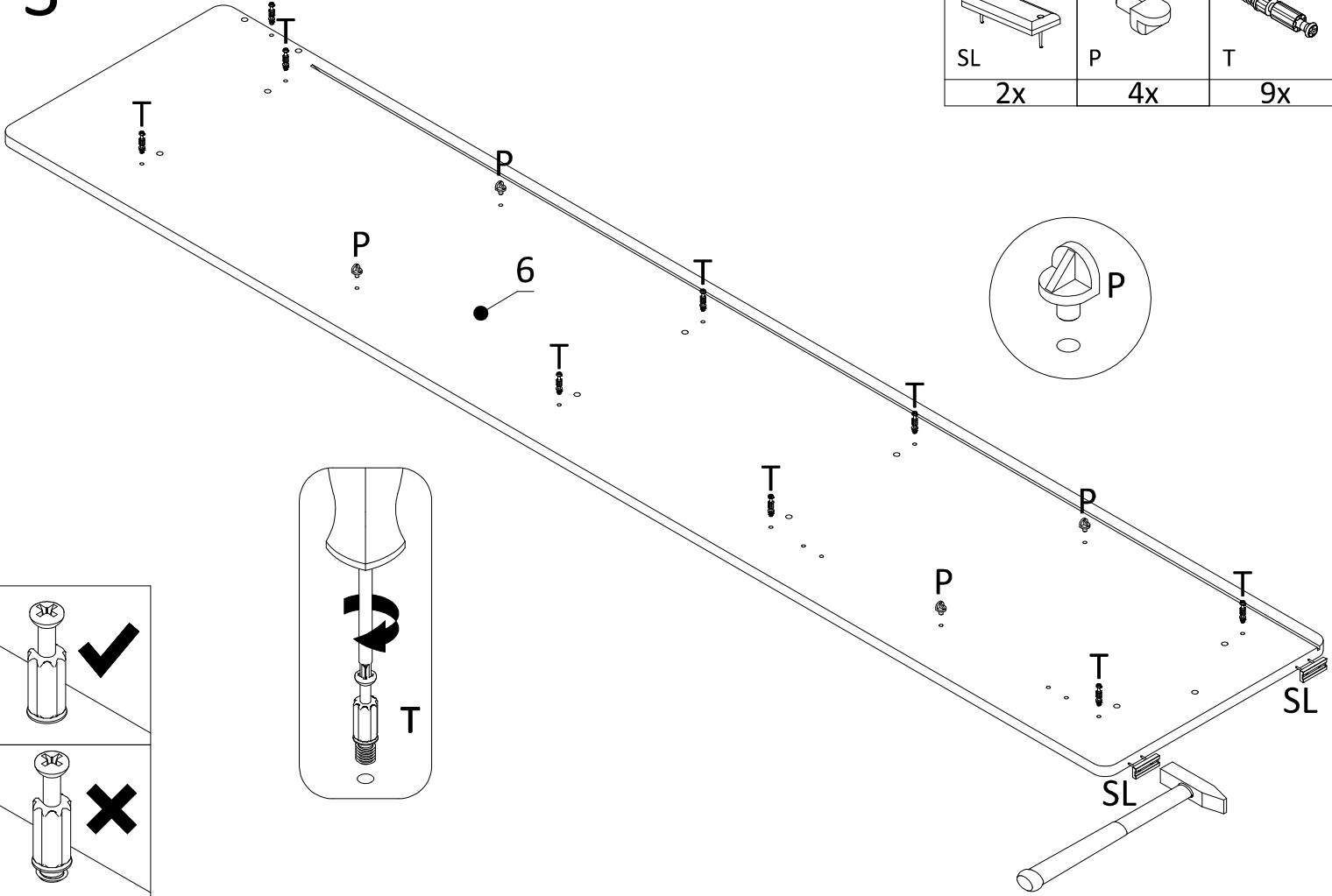
2



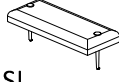

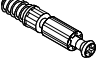
	
M	K
10x	15x

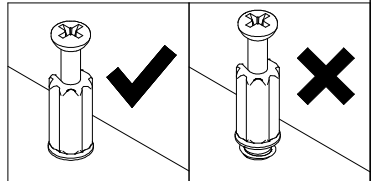
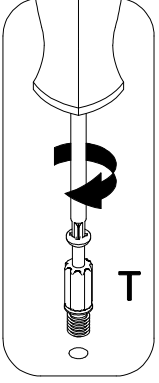
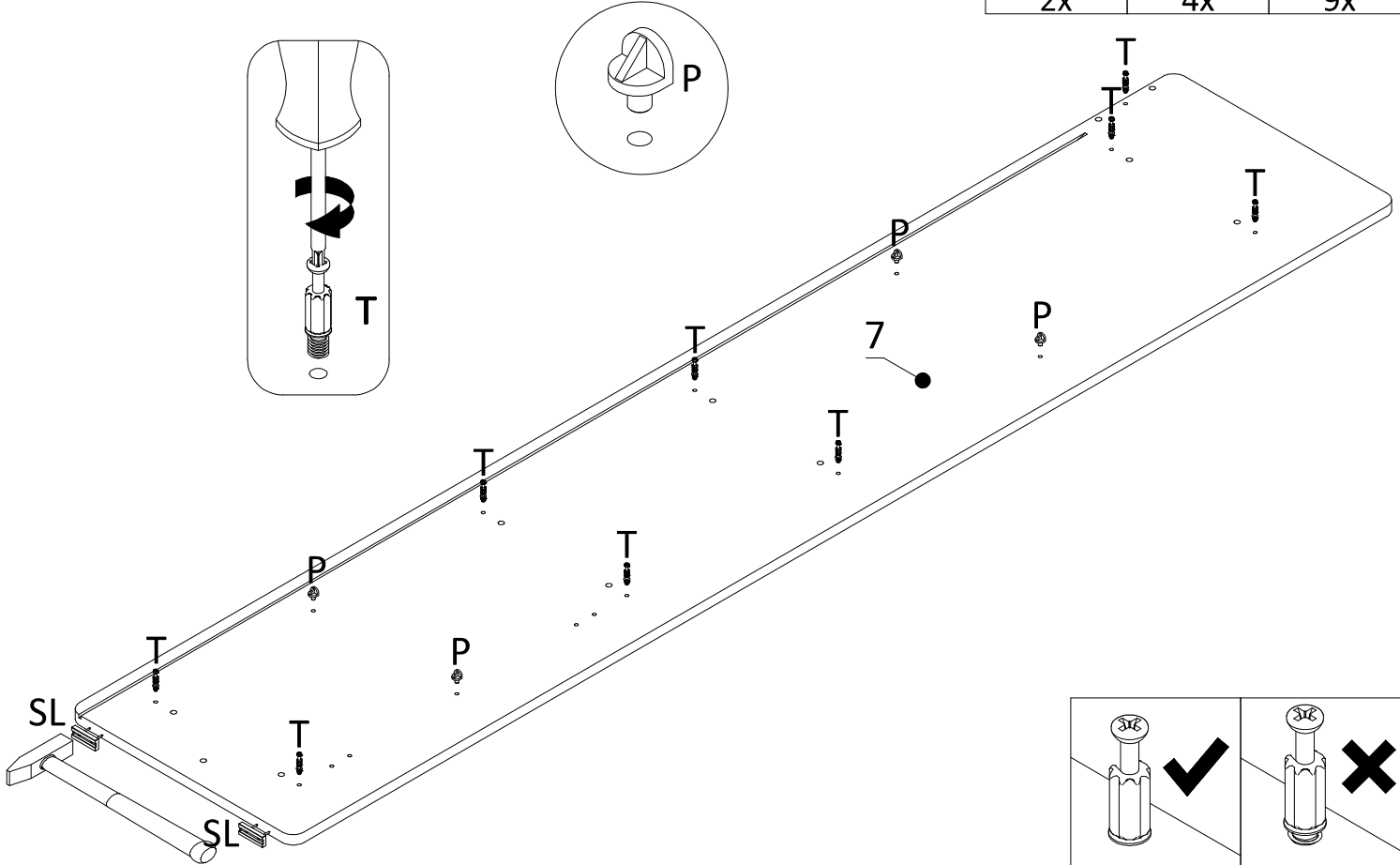
3

		
SL	P	T
2x	4x	9x

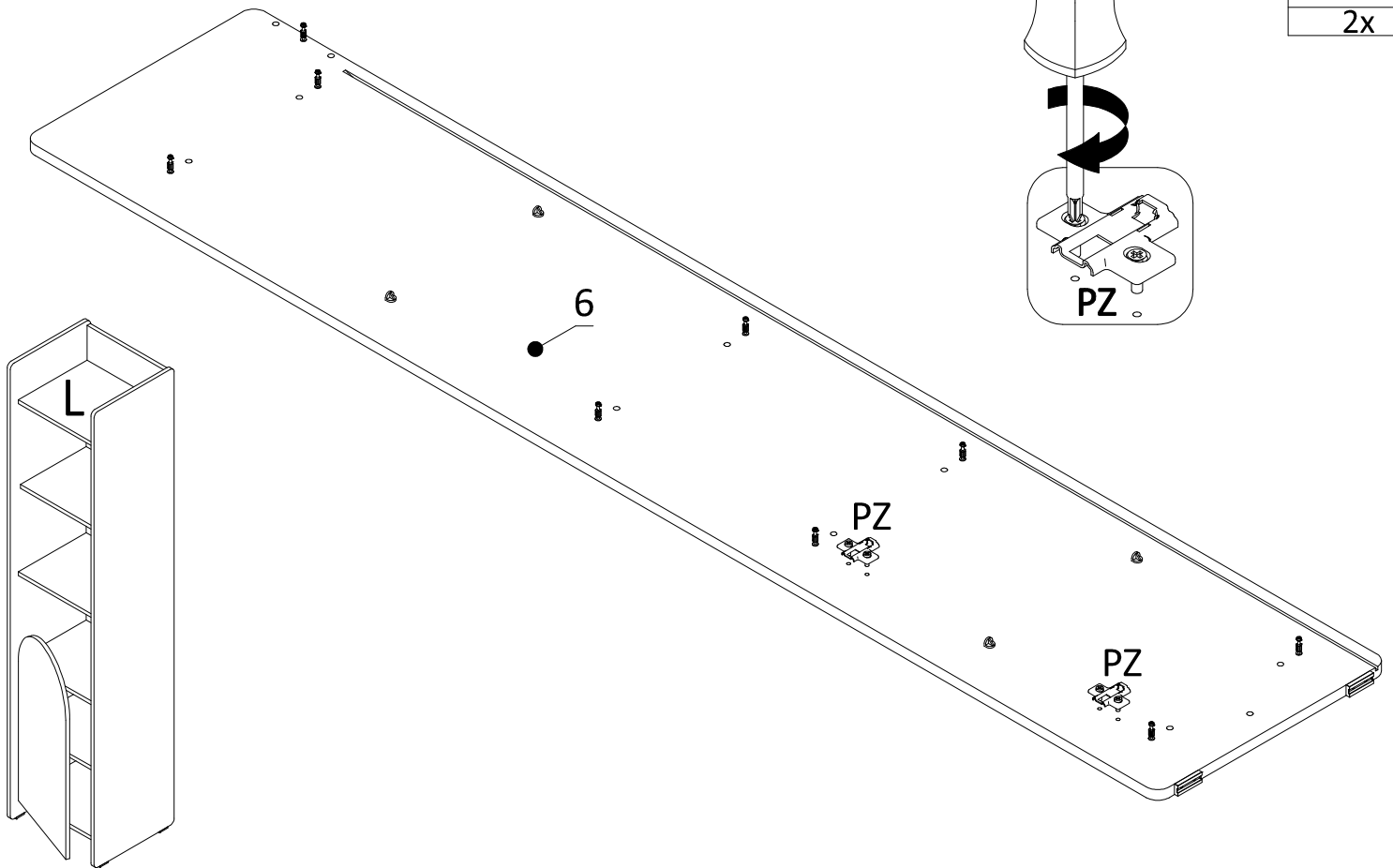


4

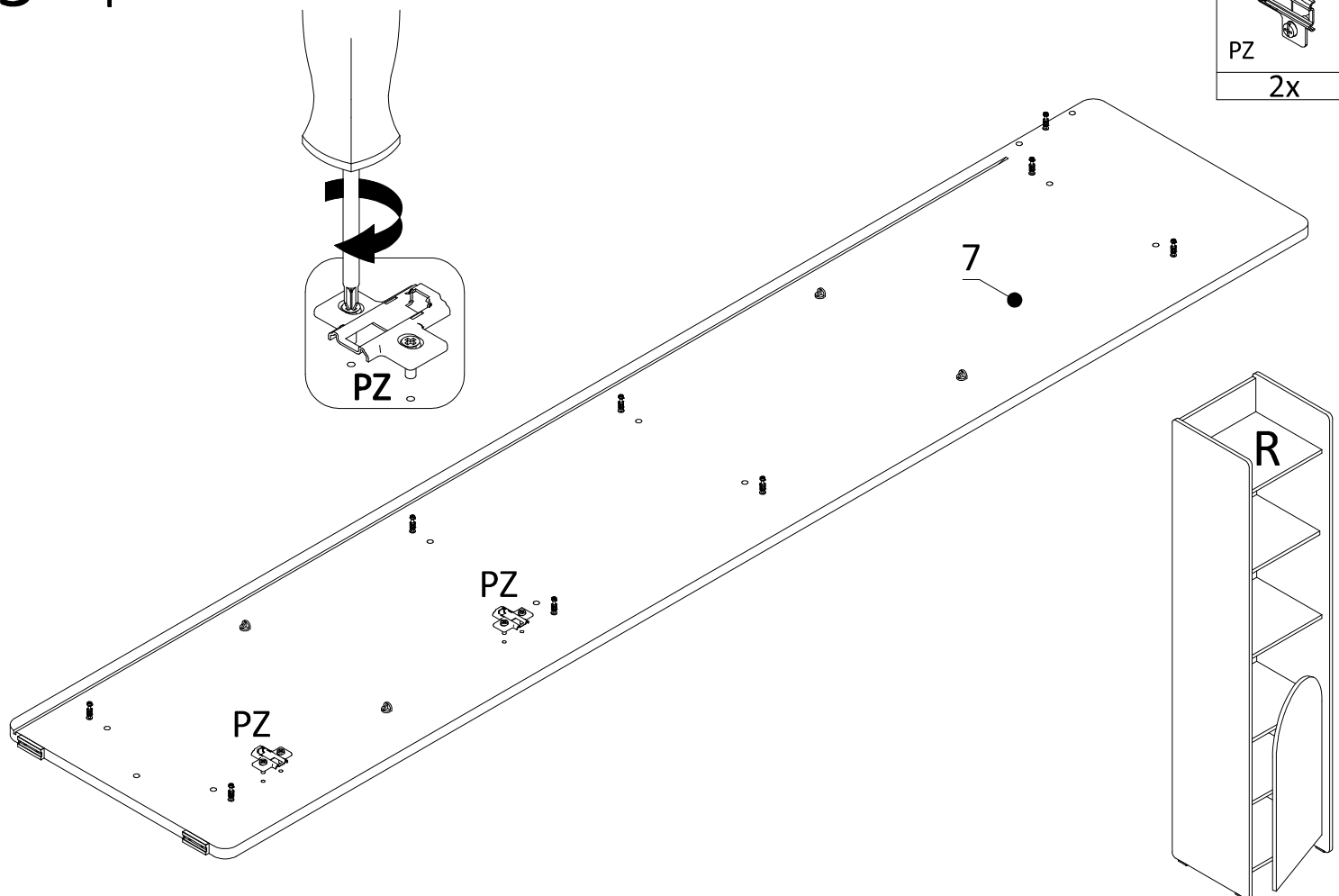
		
SL	P	T
2x	4x	9x




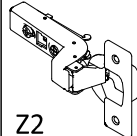
5 Option L

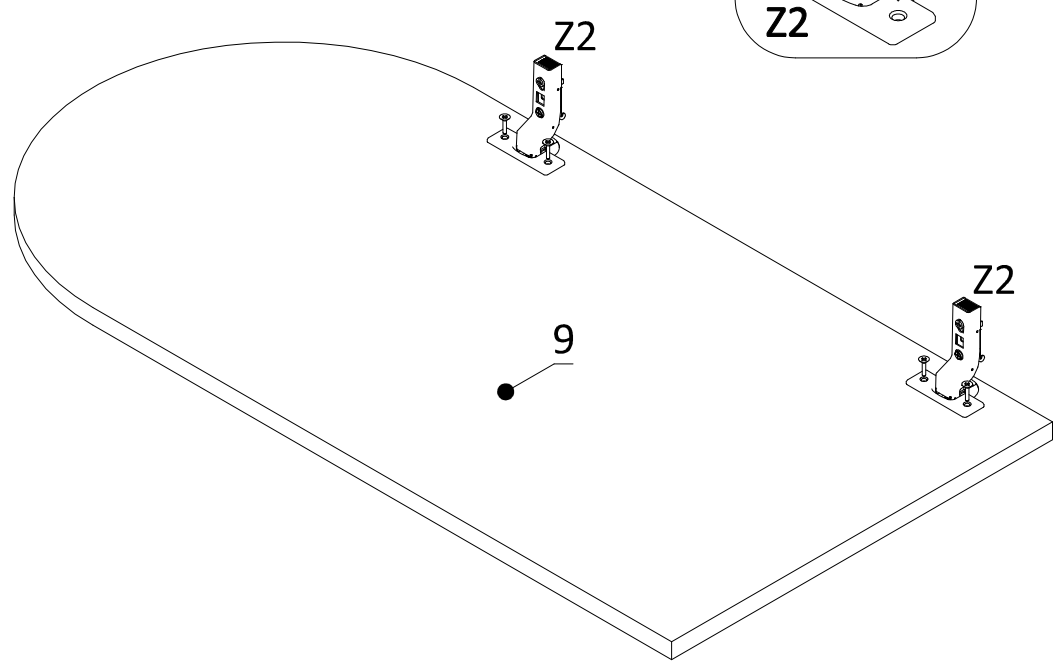
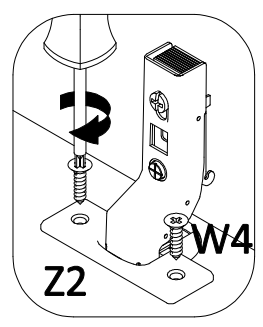


5 Option R


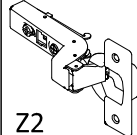


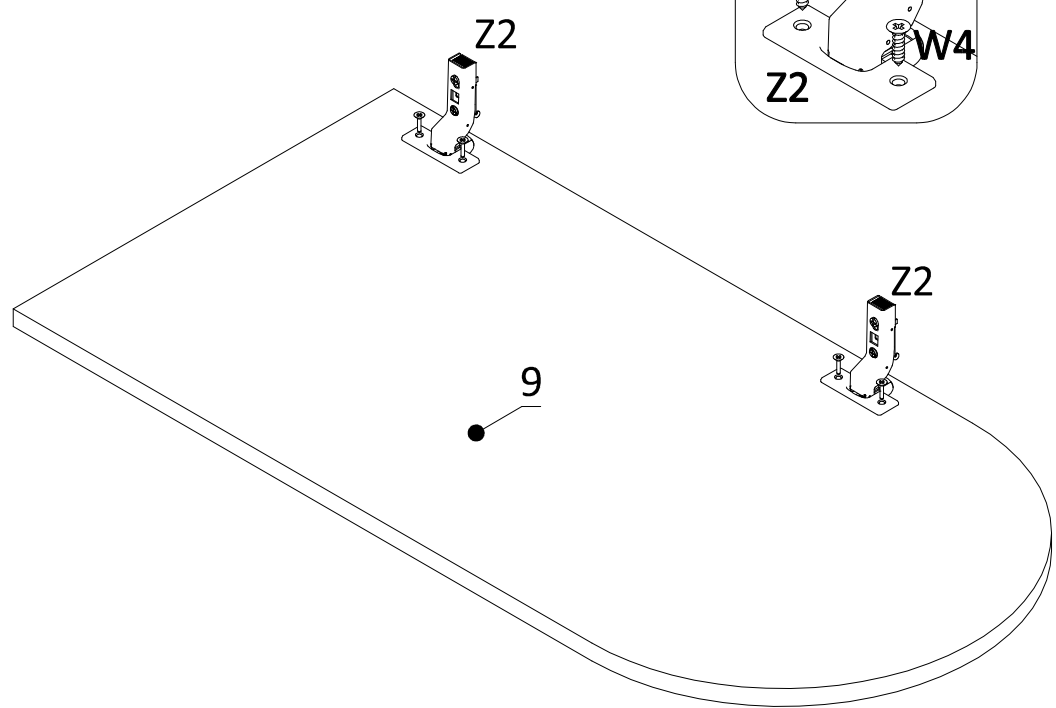
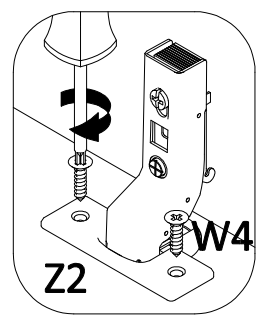
6 Option L

	
W4	Z2
4x	2x

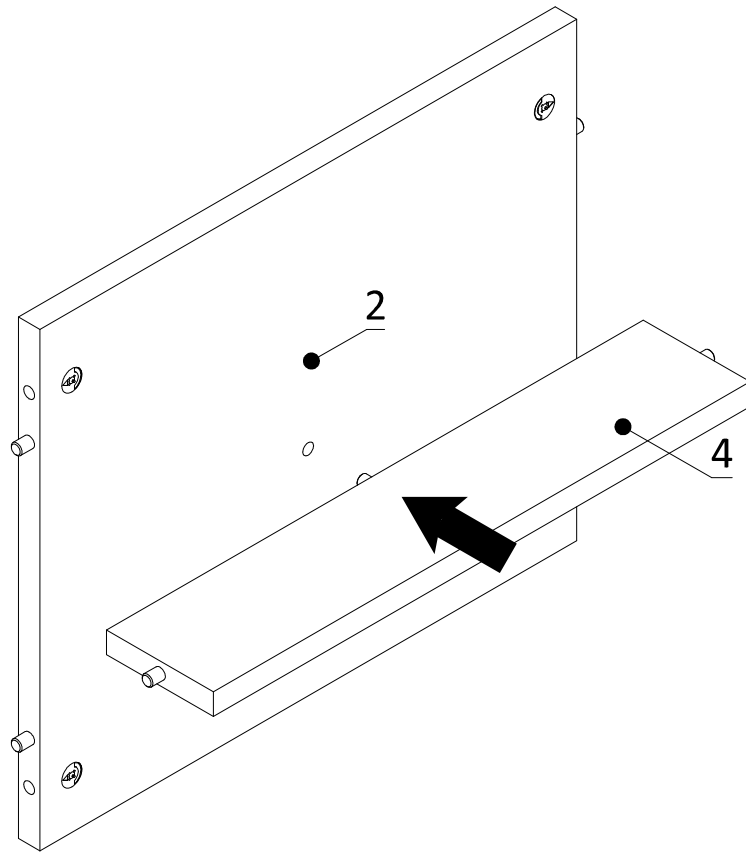


6 Option R

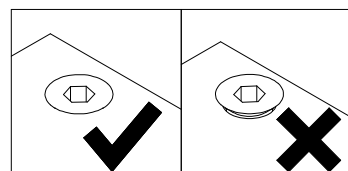
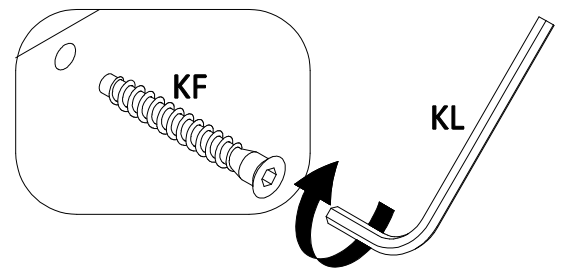
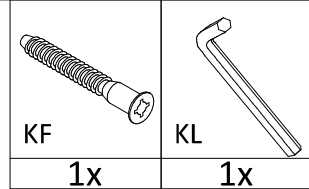
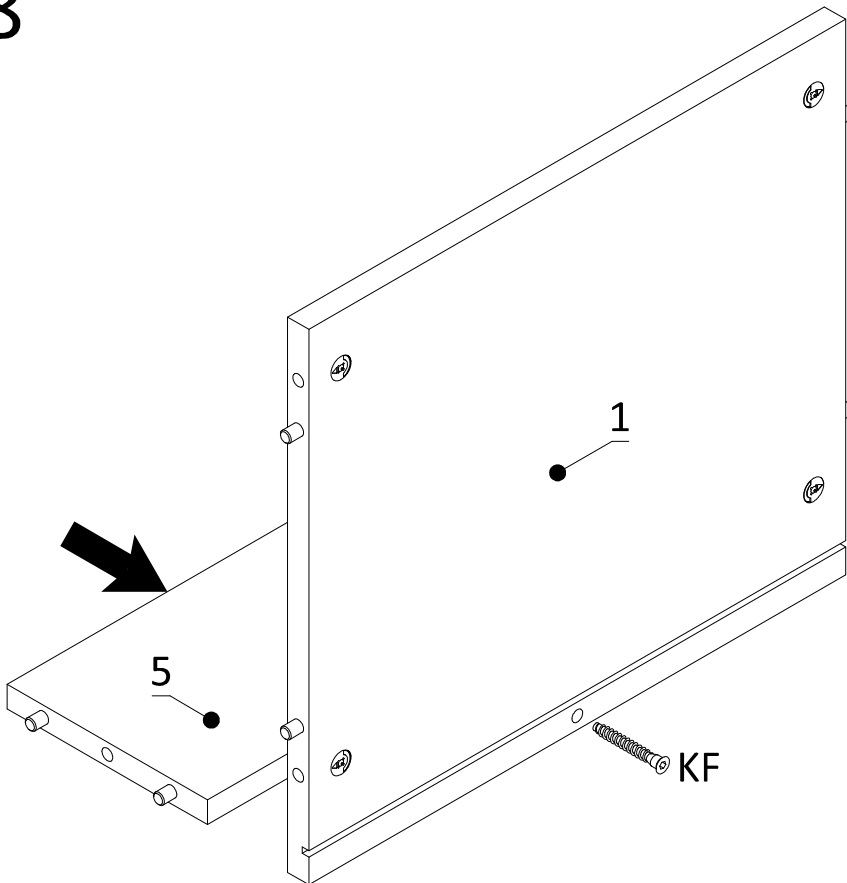
	
W4	Z2
4x	2x



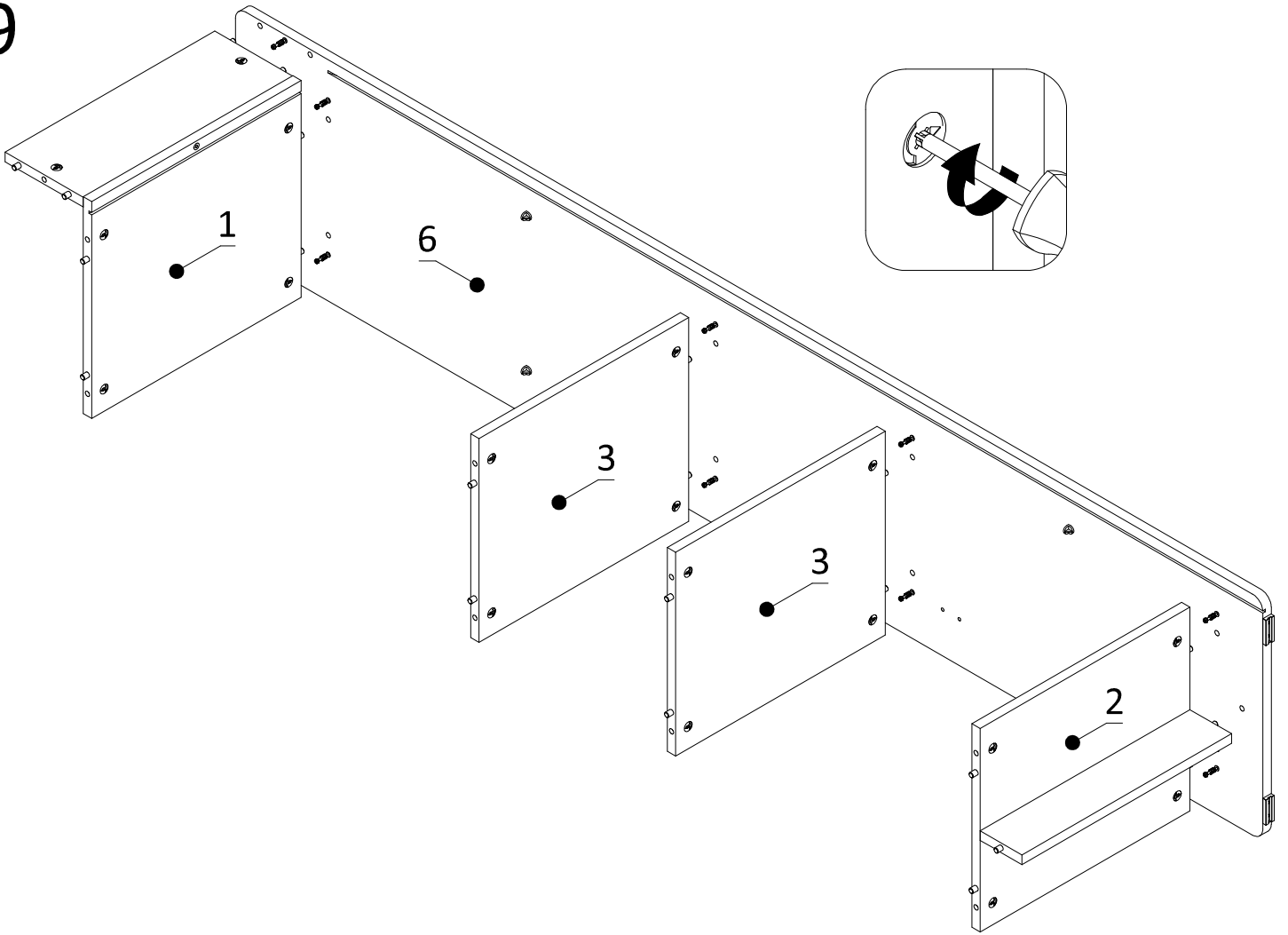
7



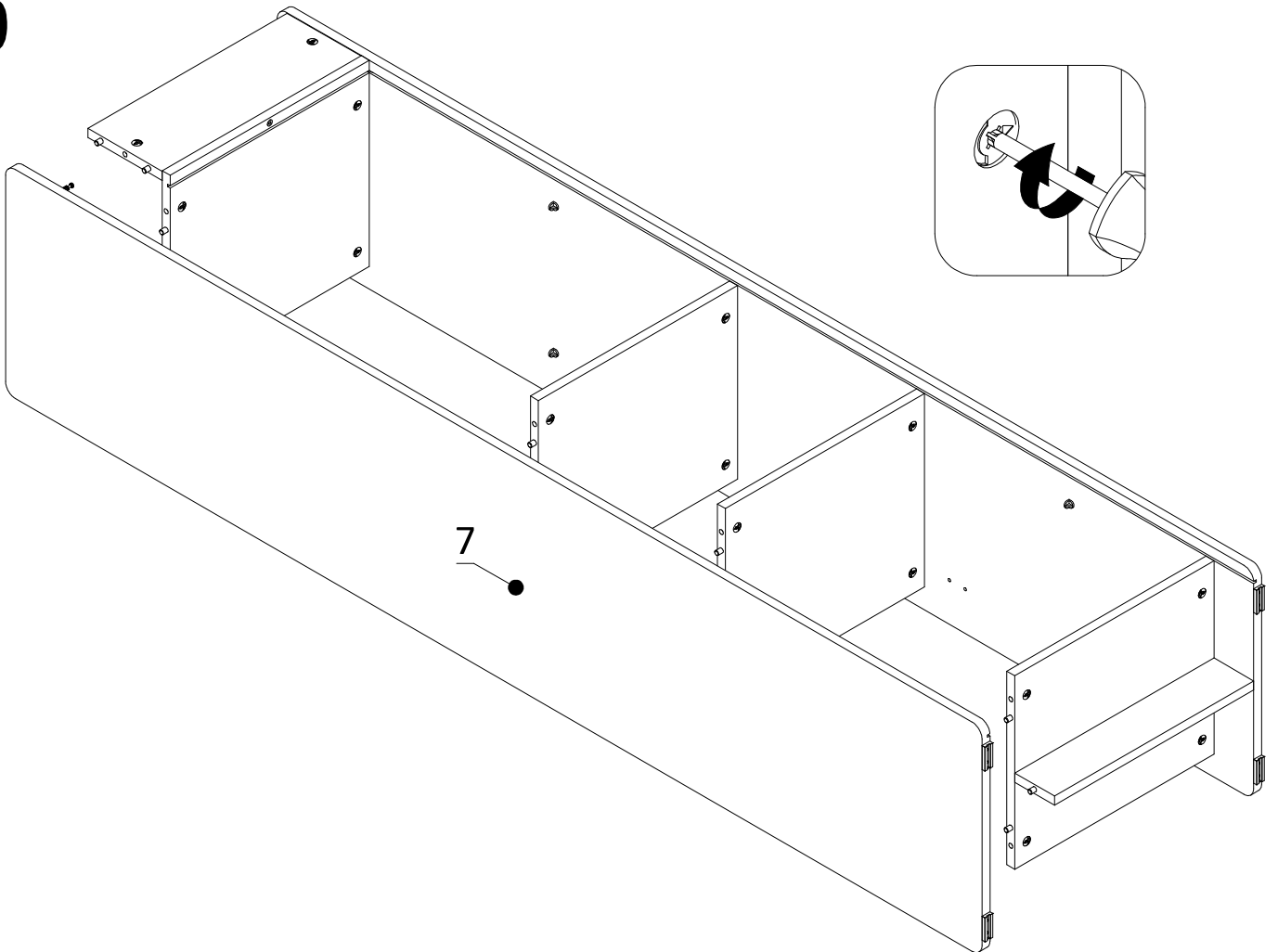
8



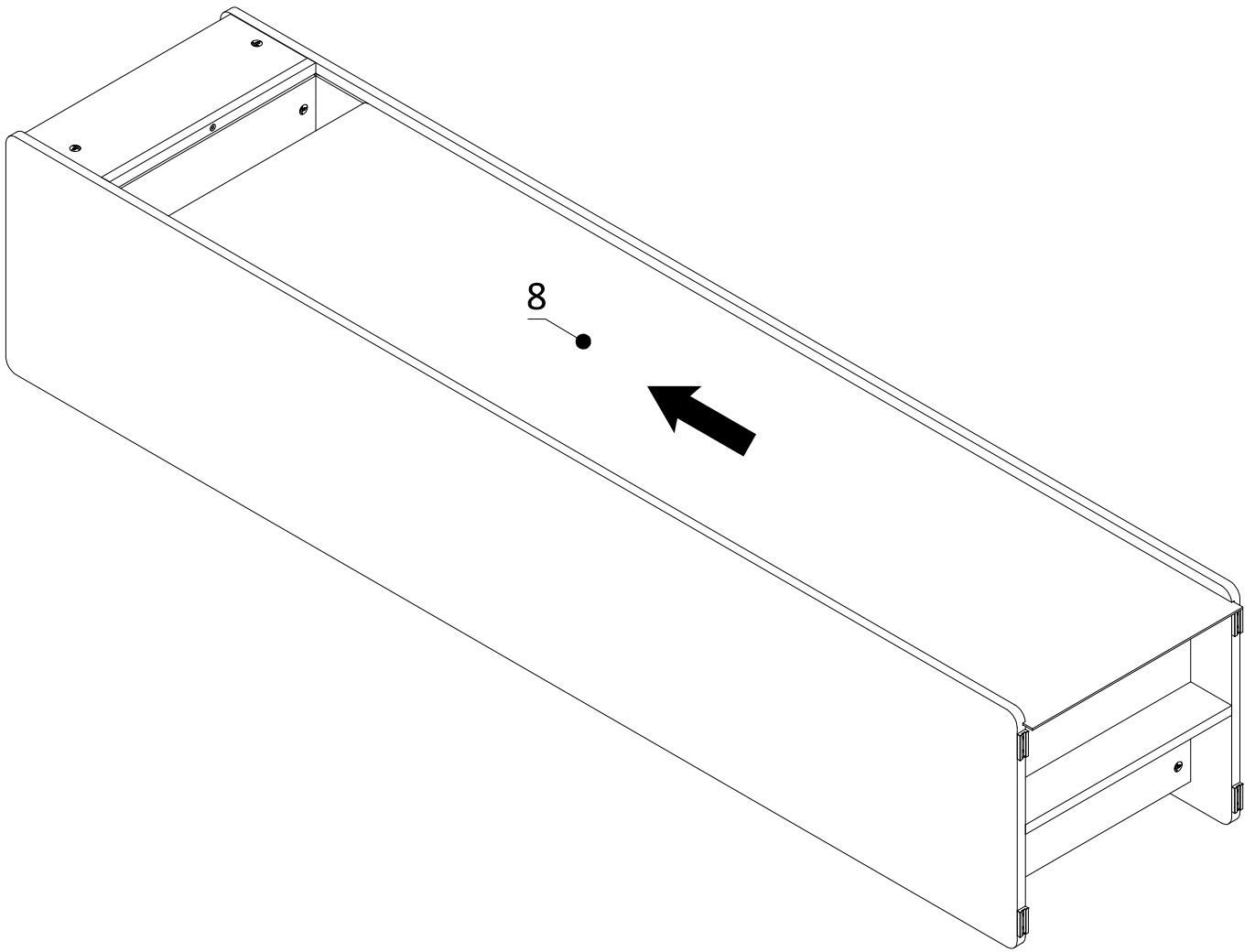
9



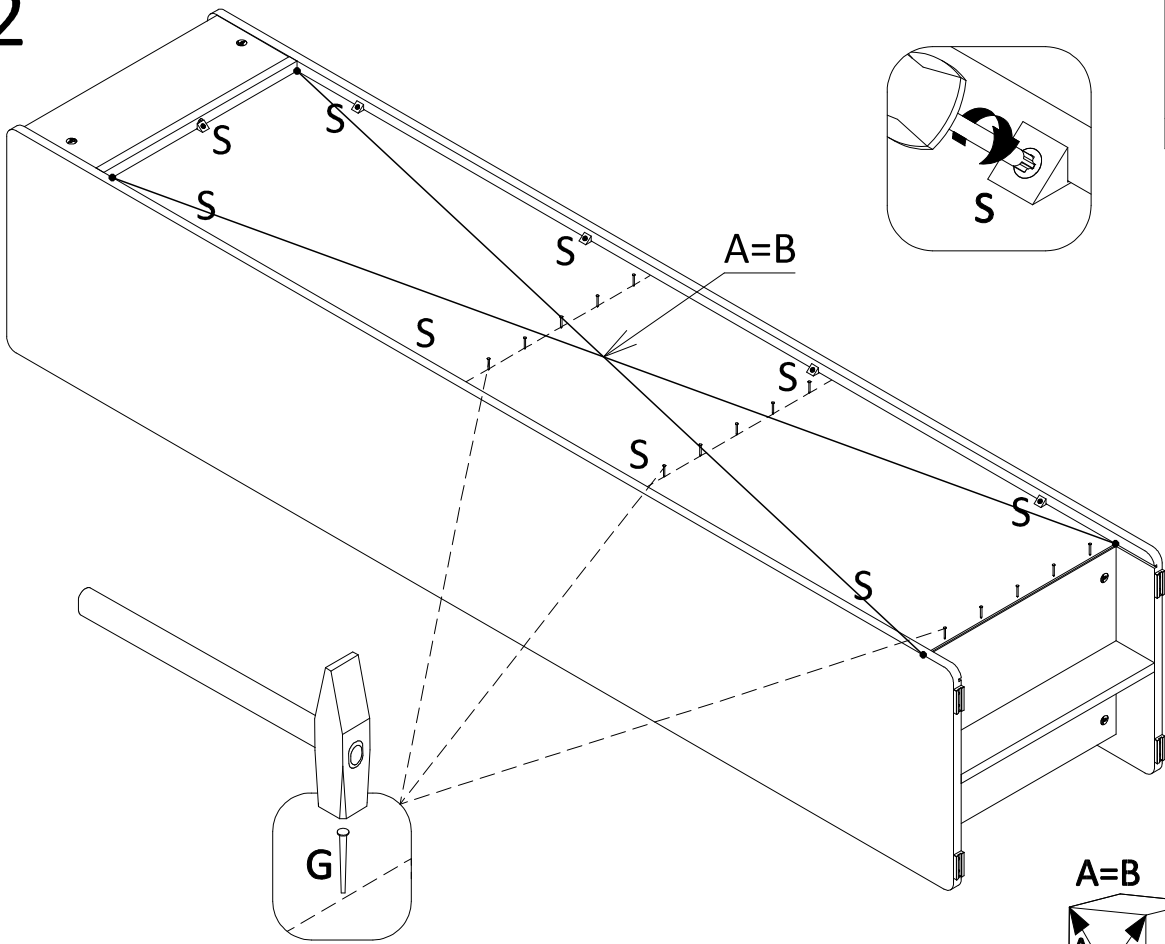
10


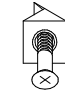


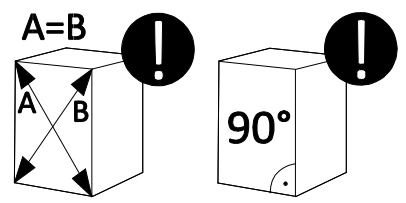
11



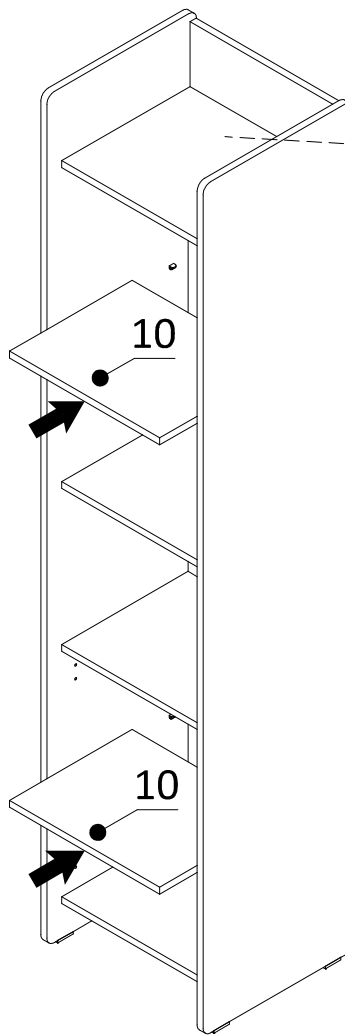
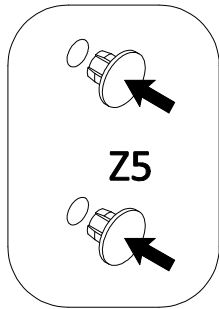
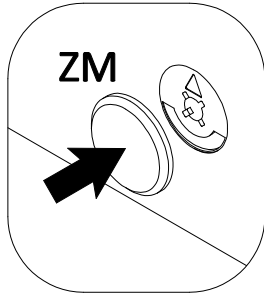
12



 G	 S
15x	9x

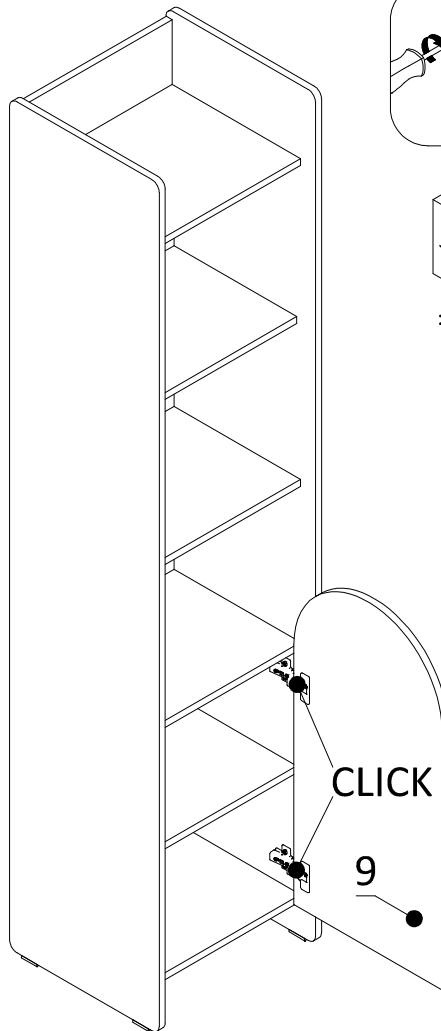
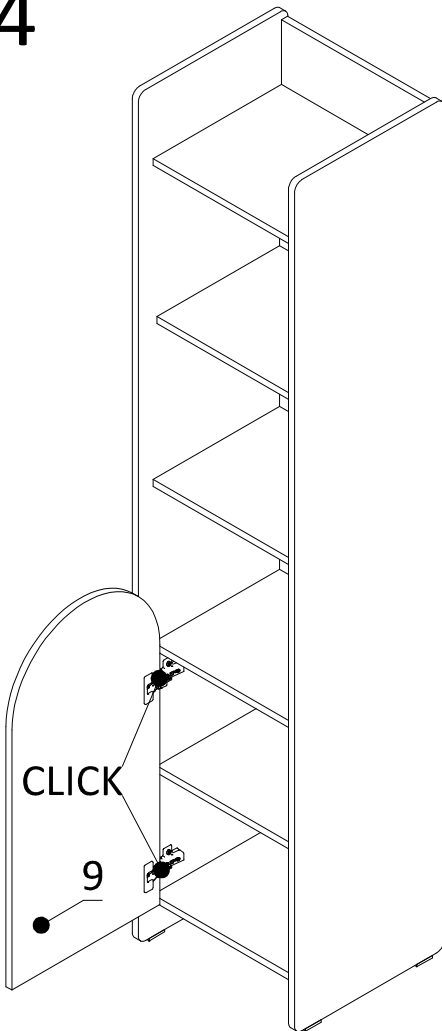


13



	1x
1	
2	
3	
4	

14



±2mm	±2mm	±2mm